

АНАЛИЗАТОРЫ ДАННЫХ ЕВНТ-1К, 1R, 2К, ЕВНТ-КАБЕЛ, SHUT

ТЕХНИЧЕСКИЕ ХАРАКТЕРИСТИКИ

По вопросам продаж и поддержки обращайтесь:

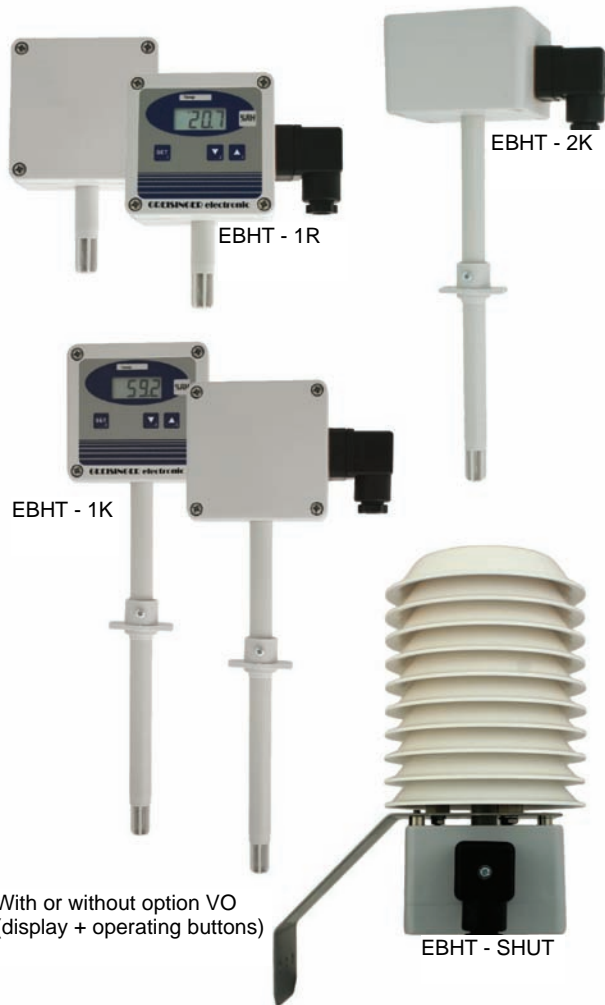
Архангельск (8182)63-90-72	Калининград (4012)72-03-81	Нижний Новгород (831)429-08-12	Смоленск (4812)29-41-54
Астана +7(7172)727-132	Калуга (4842)92-23-67	Новокузнецк (3843)20-46-81	Сочи (862)225-72-31
Белгород (4722)40-23-64	Кемерово (3842)65-04-62	Новосибирск (383)227-86-73	Ставрополь (8652)20-65-13
Брянск (4832)59-03-52	Киров (8332)68-02-04	Орел (4862)44-53-42	Тверь (4822)63-31-35
Владивосток (423)249-28-31	Краснодар (861)203-40-90	Оренбург (3532)37-68-04	Томск (3822)98-41-53
Волгоград (844)278-03-48	Красноярск (391)204-63-61	Пенза (8412)22-31-16	Тула (4872)74-02-29
Вологда (8172)26-41-59	Курск (4712)77-13-04	Пермь (342)205-81-47	Тюмень (3452)66-21-18
Воронеж (473)204-51-73	Липецк (4742)52-20-81	Ростов-на-Дону (863)308-18-15	Ульяновск (8422)24-23-59
Екатеринбург (343)384-55-89	Магнитогорск (3519)55-03-13	Рязань (4912)46-61-64	Уфа (347)229-48-12
Иваново (4932)77-34-06	Москва (495)268-04-70	Самара (846)206-03-16	Челябинск (351)202-03-61
Ижевск (3412)26-03-58	Мурманск (8152)59-64-93	Санкт-Петербург (812)309-46-40	Череповец (8202)49-02-64
Казань (843)206-01-48	Набережные Челны (8552)20-53-41	Саратов (845)249-38-78	Ярославль (4852)69-52-93

сайт: greisinger.nt-rt.ru || эл. почта: gre@nt-rt.ru

Humidity / Temperature Module

EBHT - 1K / 1R / 2K

EBHT - KABEL / SHUT



- Capacitive polymer humidity sensor
- Robust ABS housing
- Indoor climate monitoring

Characteristics

The EBHT is used for long-term monitoring, indoor climate monitoring and monitoring of storage rooms. The sensor module is particularly suitable for industrial applications due to its robust surface-mounted housing.

The EASYBus sensor modules EBHT measure the temperature and relative humidity in air or non corrosive / non ionizing gases. Humidity and temperature are measured by a capacitive polymer humidity sensor and a Pt1000 sensor, the measuring values and min-/max- values can be read out via EASYBus interface.

The housing of the module is made of robust ABS. Modules are available with or without on-site display. Direct configuration is possible for devices with option VO (on-site display). Additionally there is the possibility to configure the modules by means of the EASY-Bus-Configurator software.

Design types

	1K	1R	2K	KABEL	SHUT
Design type	surface / duct design	surface design	duct design	surface design with cable	surface design with weather proofing
Length of probe / cable / hat	EL = 220 mm	EL = 50 mm	EL = 220 mm	1 m Teflon cable, in distance to housing	Hat = 82 mm
outlet probe / cable	on the side	on the side	bottom	on the side	bottom

Other features

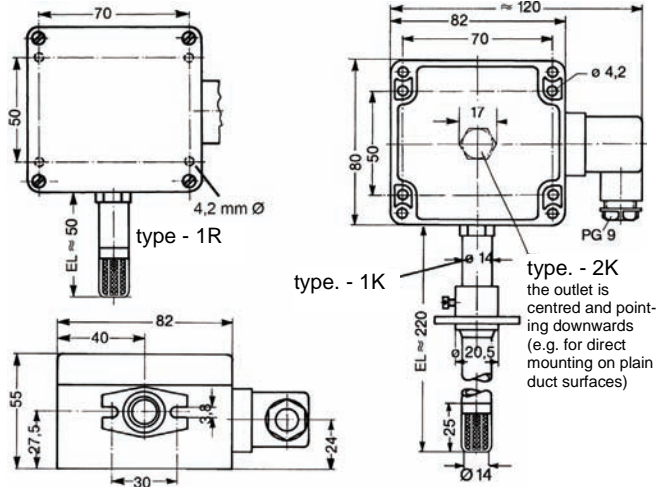
- 1K / 1R / 2K : unscrewable protective cap with gauze filter insert made of stainless steel
- KABEL : includes high humidity sensor (HO) and varnished board (LACK) by default
- SHUT : weather protection shield made of plastic, reduces distortions by sun or rain, includes high humidity sensor (HO) and varnished board (LACK)

Technical data

Measuring ranges	
Humidity:	0.0..100.0 % RH
Standard	recomm. measuring range: 30..80 % RH
High humidity	recomm. measuring range: 5..95 % RH
Temperature	-40.0..+120.0 °C
Measuring sensors	capacitive polymer humidity sensor and Pt1000
Accuracy Humidity	±2.5 % RH (at recomm. measuring range)
Accuracy Temperature	sensor: DIN class B electronics: ±0.4 % of m.v. ±0.2 °C
Working temperature	-25..+50 °C (electronics) -40..+100 °C, briefly up to 120 °C (sensor / probe tube)
Electric connection	elbow-type plug EN 175301-803/A, output 2-wire, max. 1.5 mm ² each
Housing	ABS
Protection class	IP65 (housing)
Bus load	1.5

Dimensions

- EBHT - 1K / 1R / 2K : 82 x 80 x 55 mm (H x W x D)
(without probe/plug)
tube-Ø 14 mm
- KABEL : 82 x 80 x 55 mm (H x W x D)
(without probe/plug)
probe tube in distance to housing,
sensor head (Ø 14 x 68 mm)
- SHUT : 82 x 80 x 55 mm ((H x W x D)
(without probe/plug)
shield Ø 110 mm, height 140 mm



Ordering code

EBHT - 1. - 2. - 3. - 4.

1. Design type	
1K	Surface / duct design
1R	Surface design
2K	Duct design
KABEL	Surface design with cable (incl. HO + LACK)
SHUT	Weather protective shield / heat-protective hat (incl. HO + LACK)
2. Option (sensor)	
00	standard sensor (standard for 1K, 1R and 2K) (recomm. measuring range: 30..80 % RH)
HO	high temperature sensor (standard for KABEL and SHUT) (recomm. measuring range: 5..95 % RH)
3. Fitting length EL	
000	without fitting length (for KABEL / SHUT)
050	length = 50 mm (standard for type 1R)
220	length = 220 mm (standard for type 1K / 2K)
300	length = 300 mm
400	length = 400 mm
500	length = 500 mm
4. Option (general) (combination of multiple options possible)	
00	without option
VO	on-site display (display + operating buttons)
LACK	board varnished on both sides (for outdoor usage) standard for types KABEL and SHUT
UNI	selectable humidity display unit Instead of displaying and output the standard humidity value you can change to one of the following values via interface or VO-display: <ul style="list-style-type: none"> wet bulb temperature dew point temperature enthalpy atmospheric humidity absolute humidity

По вопросам продаж и поддержки обращайтесь:

Архангельск (8182)63-90-72	Калининград (4012)72-03-81	Нижний Новгород (831)429-08-12	Смоленск (4812)29-41-54
Астана +7(7172)727-132	Калуга (4842)92-23-67	Новокузнецк (3843)20-46-81	Сочи (862)225-72-31
Белгород (4722)40-23-64	Кемерово (3842)65-04-62	Новосибирск (383)227-86-73	Ставрополь (8652)20-65-13
Брянск (4832)59-03-52	Киров (8332)68-02-04	Орел (4862)44-53-42	Тверь (4822)63-31-35
Владивосток (423)249-28-31	Краснодар (861)203-40-90	Оренбург (3532)37-68-04	Томск (3822)98-41-53
Волгоград (844)278-03-48	Красноярск (391)204-63-61	Пенза (8412)22-31-16	Тула (4872)74-02-29
Вологда (8172)26-41-59	Курск (4712)77-13-04	Пермь (342)205-81-47	Тюмень (3452)66-21-18
Воронеж (473)204-51-73	Липецк (4742)52-20-81	Ростов-на-Дону (863)308-18-15	Ульяновск (8422)24-23-59
Екатеринбург (343)384-55-89	Магнитогорск (3519)55-03-13	Рязань (4912)46-61-64	Уфа (347)229-48-12
Иваново (4932)77-34-06	Москва (495)268-04-70	Самара (846)206-03-16	Челябинск (351)202-03-61
Ижевск (3412)26-03-58	Мурманск (8152)59-64-93	Санкт-Петербург (812)309-46-40	Череповец (8202)49-02-64
Казань (843)206-01-48	Набережные Челны (8552)20-53-41	Саратов (845)249-38-78	Ярославль (4852)69-52-93

сайт: greisinger.nt-rt.ru || эл. почта: gre@nt-rt.ru