

ДАТЧИКИ РЕГИСТРАЦИИ ЕВТ IF1, IF2, IF3, AP1, AP2, AP3, AP4, AP5, 2R, 2RE

ТЕХНИЧЕСКИЕ ХАРАКТЕРИСТИКИ

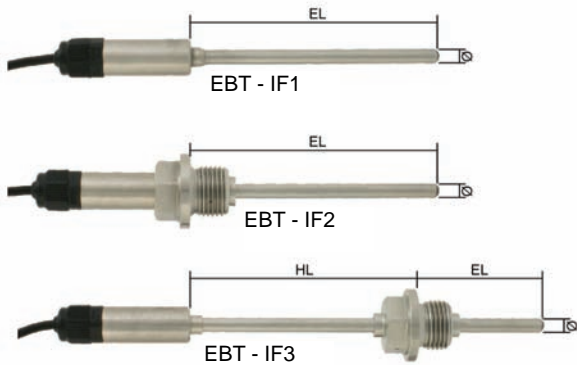
По вопросам продаж и поддержки обращайтесь:

Архангельск (8182)63-90-72	Калининград (4012)72-03-81	Нижний Новгород (831)429-08-12	Смоленск (4812)29-41-54
Астана +7(7172)727-132	Калуга (4842)92-23-67	Новокузнецк (3843)20-46-81	Сочи (862)225-72-31
Белгород (4722)40-23-64	Кемерово (3842)65-04-62	Новосибирск (383)227-86-73	Ставрополь (8652)20-65-13
Брянск (4832)59-03-52	Киров (8332)68-02-04	Орел (4862)44-53-42	Тверь (4822)63-31-35
Владивосток (423)249-28-31	Краснодар (861)203-40-90	Оренбург (3532)37-68-04	Томск (3822)98-41-53
Волгоград (844)278-03-48	Красноярск (391)204-63-61	Пенза (8412)22-31-16	Тула (4872)74-02-29
Вологда (8172)26-41-59	Курск (4712)77-13-04	Пермь (342)205-81-47	Тюмень (3452)66-21-18
Воронеж (473)204-51-73	Липецк (4742)52-20-81	Ростов-на-Дону (863)308-18-15	Ульяновск (8422)24-23-59
Екатеринбург (343)384-55-89	Магнитогорск (3519)55-03-13	Рязань (4912)46-61-64	Уфа (347)229-48-12
Иваново (4932)77-34-06	Москва (495)268-04-70	Самара (846)206-03-16	Челябинск (351)202-03-61
Ижевск (3412)26-03-58	Мурманск (8152)59-64-93	Санкт-Петербург (812)309-46-40	Череповец (8202)49-02-64
Казань (843)206-01-48	Набережные Челны (8552)20-53-41	Саратов (845)249-38-78	Ярославль (4852)69-52-93

сайт: greisinger.nt-rt.ru || эл. почта: gre@nt-rt.ru

Temperature Probe

EBT - IF1 / EBT - IF2 / EBT - IF3



- Internal Pt1000 sensor
- Housing made of stainless steel
- Long-term temperature monitoring

Characteristics

The EBT - IF is used for long-term temperature monitoring. The temperature sensor as well as the EASYBus electronics are integrated in the compact probe.

The temperature is measured by the internal Pt1000 sensor, the measuring values and min-/max- values can be read out via EASY-Bus interface.

The housing of the probe is made of stainless steel to guarantee optimal corrosion protection. The measuring range, fitting length, probe tube diameter and other parameters of the probes can be modified according to customer preferences. The probes can be configured by means of the EASYBus-Configurator software.

Technical data

	EBT - IF1	EBT - IF2	EBT - IF3
Measuring range	-30.0..+100.0 °C	-30.0..+100.0 °C	-70.0..+400.0 °C
Measuring sensor	Pt1000		
Accuracy	sensor: DIN class B electronics: ±0.2 % of m.v. ±0.2 °C		
Working temperature	-25..+70 °C (electronics in cable sleeve)		
Interface	EASYBus interface, fixed 2-pole cable, cable length: 2 m		
Probe tube D (standard)	Ø 6 mm		
Process connection (standard)	—	thread G ½	thread G ½

Fitting length (standard)	EL = 100 mm	EL = 100 mm	EL = 50 mm
Neck tube length (standard)	—	—	HL = 100 mm
Housing	stainless steel (V4A)		
Protection class	IP67		
Bus load	1.5		

Dimensions

Cable sleeve : Ø 15 x 35 mm (without thread)

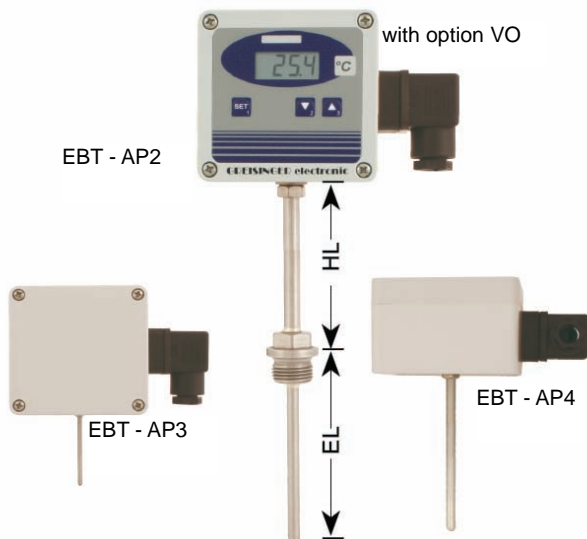
Ordering code

EBT - - - - - -

1. Design type	
IF1	without thread
IF2	with thread
IF3	with thread and neck tube
2. Measuring range	
MB1	-30.0..+100.0 °C (standard IF1 / IF2)
MB2	-70.0..+400.0 °C (standard IF3)
MBx	state desired measuring range separately (e.g.: -50..200 °C) max. possible meas. range: -200..+500 °C
3. Fitting length EL	
050	50 mm (standard IF3)
100	100 mm (standard IF1 and IF2)
xxx	any EL in mm (e.g. 075 = 75 mm)
4. Probe diameter D	
D4	Ø 4 mm
D5	Ø 5 mm
D6	Ø 6 mm (standard)
D8	Ø 8 mm
5. Thread (only at design type IF2 and IF3)	
G1	G ½ (standard)
G2	G ¼
G3	G ¾
G4	G ⅙
G5	G ⅓
M8	M8
M0	M10
M4	M14
6. Neck tube length HL (only at design type IF3)	
100	100 mm (standard)
xxx	any HL in mm (e.g. 050 = 50 mm)

Temperature Module

EBT - AP1 / EBT - AP2 / EBT - AP3 / EBT - AP4 / EBT - AP5



- Internal Pt1000 sensor
- Robust ABS housing
- Long-term temperature monitoring

Characteristics

The EBT - AP is used for long-term temperature monitoring. The sensor module is particularly suitable for industrial applications due to its robust design.

The temperature is measured by the internal Pt1000 sensor, the measuring values and min-/max- values can be read out via EASY-Bus interface.

The housing of the module is made of robust ABS. For example fitting length or probe tube diameter of the probes can be modified according to customer preferences. Direct configuration is possible for devices with option VO (on-site display). Additionally there is the possibility to configure the modules by means of the EASY-Bus-Configurator software.

Design types

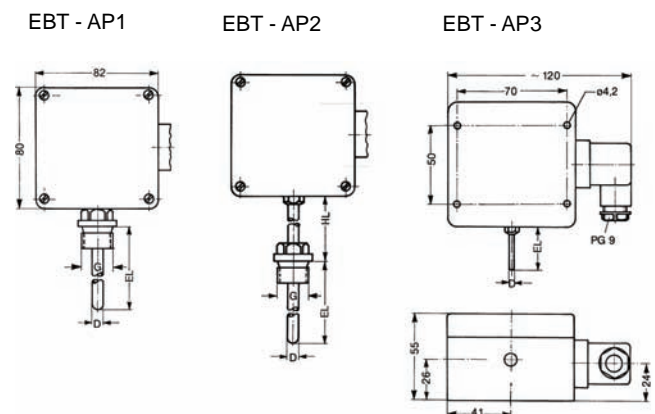
EBT - AP1	with thread G for direct screw-in
EBT - AP2	for higher temperatures, with thread G in distance to housing, with neck tube length HL
EBT - AP3	indoor / outdoor module for wall mounting <i>(varnished electronics necessary for outdoor application)</i>
EBT - AP4	duct probe with centrally mounted sensor tube pointing downwards

EBT - AP5	Transmitter for already existing Pt1000 sensors or if housing has to be in distance to sensor (e.g. due to very high ambient temperatures or constructional necessities)
------------------	--

Technical data

	EBT-AP1	EBT-AP2	EBT-AP3	EBT-AP4	EBT-AP5
Measuring range [°C]	-50.0..+150.0	-50.0..+400.0	-50.0..+150.0	-50.0..+150.0	-199.9..+650.0
Sensor	Pt1000				
Accuracy	sensor: DIN class B (optional: 1/3 DIN class B) electronics: ±0.2 % of m.v. ±0.2 °C				
Sensor connection					2-wire
Working temperature	0..70 °C (electronics)				
Electric connection	elbow-type plug EN 175301-803/A				
Process connection (standard)	thread G ½	—	—	—	—
Fitting length (standard)	EL = 100 mm	EL = 100 mm	EL = 50 mm	EL = 100 mm	—
Neck tube length (standard)	—	HL = 50 mm	—	—	—
Diameter Ø (Standard)	D = 6 mm	D = 6 mm	D = 3 mm	D = 6 mm	—
Housing	ABS; probe V4A				
Protection class	IP65				
Bus load	1.5				

Dimensions

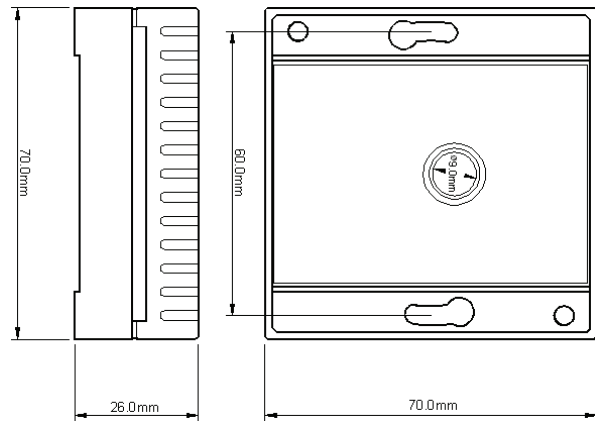


Temperature Module EBT - 2R / EBT - 2RE



Working temperature	-25..+50 °C (electronics)
Electric connection	2-pole screw terminal, max. 1.5 m ²
Housing	shapely surface-mounted housing, suitable for flush-type boxes
Protection class	IP20 (housing)
Bus load	1.5

Dimensions



- Internal or external sensor
- Robust ABS housing
- Indoor climate monitoring

Characteristics

The EBT - 2R /2RE is used for long-term temperature monitoring, indoor climate monitoring and monitoring of storage rooms.

The temperature is measured by the internal Pt1000 sensor (EBT - 2R) or external Pt1000 probe (EBT - 2RE), the measuring values and min-/max- values can be read out via EASYBus interface.

The housing of the module is made of robust ABS. Modules are available with or without on-site display. The modules can be configured by means of the EASYBus-Configurator software. Additional direct configuration is possible for devices with option VO (on-site display). The control panel is accessible when the cover is removed.

Mounting



Suitable for mounting on all 55 mm flush-type boxes.

Ordering code

EBT - 1. - 2.

1. Design type	
2R	with internal sensor
2RE	with external sensor
2. Options	
00	without option
VO	on-site display (display + operating buttons)

Technical data

	EBT - 2R	EBT - 2RE
Temperature probe	Integrated in housing	external sensor (V4A / Ø 5 x 50 mm, 1 m silicone cable)
Measuring range	-25.0..+70.0 °C	-50.0..+150.0 °C
Sensor element	Pt1000	
Accuracy	sensor: DIN class B electronics: ±0.4 % of m.v. ±0.3 °C	

По вопросам продаж и поддержки обращайтесь:

Архангельск (8182)63-90-72	Калининград (4012)72-03-81	Нижний Новгород (831)429-08-12	Смоленск (4812)29-41-54
Астана +7(7172)727-132	Калуга (4842)92-23-67	Новокузнецк (3843)20-46-81	Сочи (862)225-72-31
Белгород (4722)40-23-64	Кемерово (3842)65-04-62	Новосибирск (383)227-86-73	Ставрополь (8652)20-65-13
Брянск (4832)59-03-52	Киров (8332)68-02-04	Орел (4862)44-53-42	Тверь (4822)63-31-35
Владивосток (423)249-28-31	Краснодар (861)203-40-90	Оренбург (3532)37-68-04	Томск (3822)98-41-53
Волгоград (844)278-03-48	Красноярск (391)204-63-61	Пенза (8412)22-31-16	Тула (4872)74-02-29
Вологда (8172)26-41-59	Курск (4712)77-13-04	Пермь (342)205-81-47	Тюмень (3452)66-21-18
Воронеж (473)204-51-73	Липецк (4742)52-20-81	Ростов-на-Дону (863)308-18-15	Ульяновск (8422)24-23-59
Екатеринбург (343)384-55-89	Магнитогорск (3519)55-03-13	Рязань (4912)46-61-64	Уфа (347)229-48-12
Иваново (4932)77-34-06	Москва (495)268-04-70	Самара (846)206-03-16	Челябинск (351)202-03-61
Ижевск (3412)26-03-58	Мурманск (8152)59-64-93	Санкт-Петербург (812)309-46-40	Череповец (8202)49-02-64
Казань (843)206-01-48	Набережные Челны (8552)20-53-41	Саратов (845)249-38-78	Ярославль (4852)69-52-93

сайт: greisinger.nt-rt.ru || эл. почта: gre@nt-rt.ru